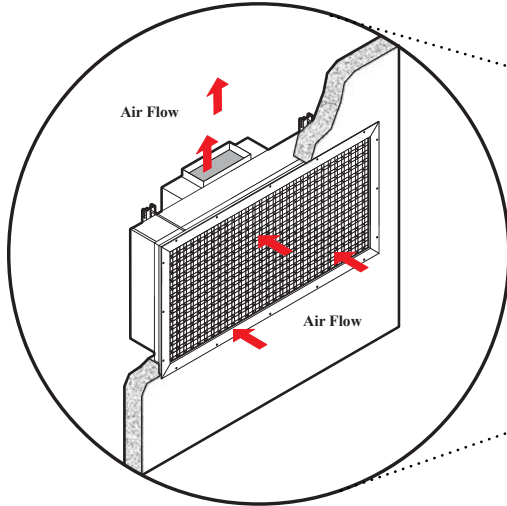
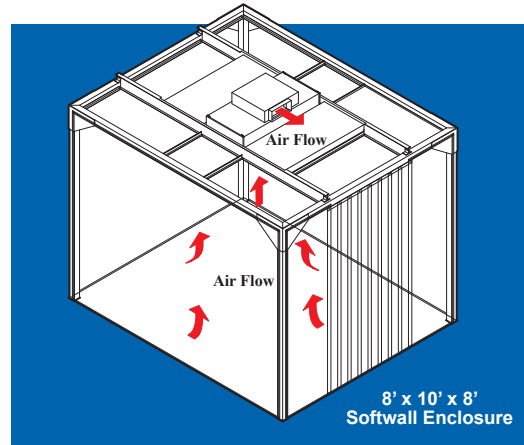
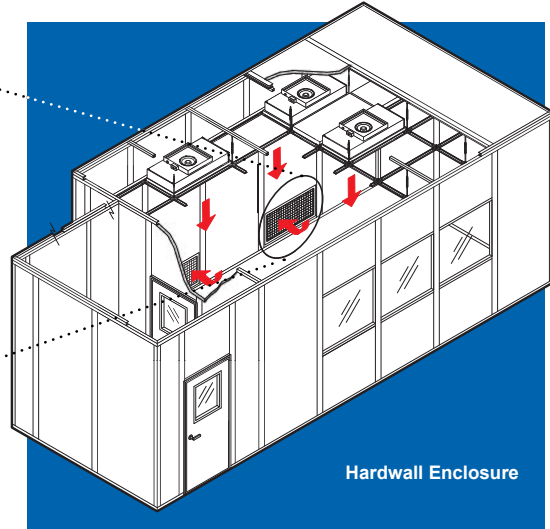


Use a Reverse Flow Unit When Negative Pressure Is Required

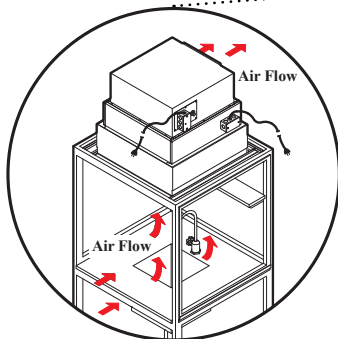


SAM 24 RF GS
Horizontal Flow



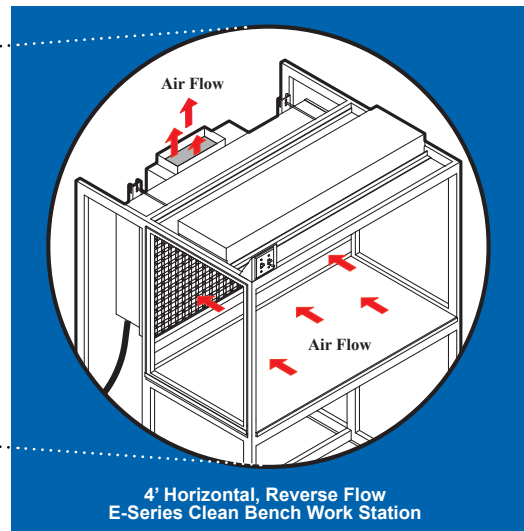
- Air is pulled out of a cleanroom, clean bench, workstation or an enclosure and passes through a HEPA filter.
- The HEPA filter captures particles sized at 0.3 microns or larger.
- Clean air can be ...
 - exhausted into the ambient area
 - ducted into a recirculation system
 - vented to the outside

Prevents Contaminants Within a Clean Bench or Workstation, from Reaching the Operator



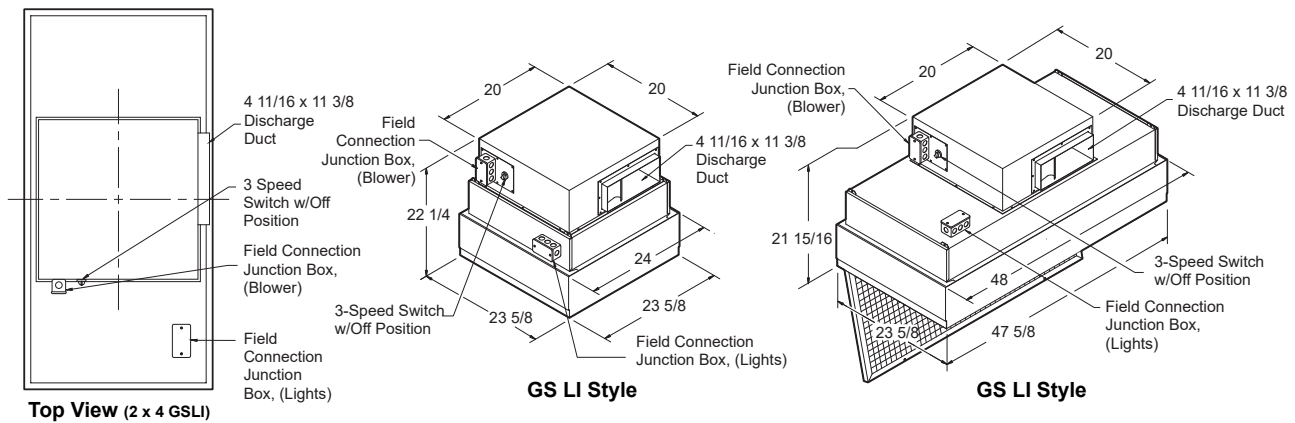
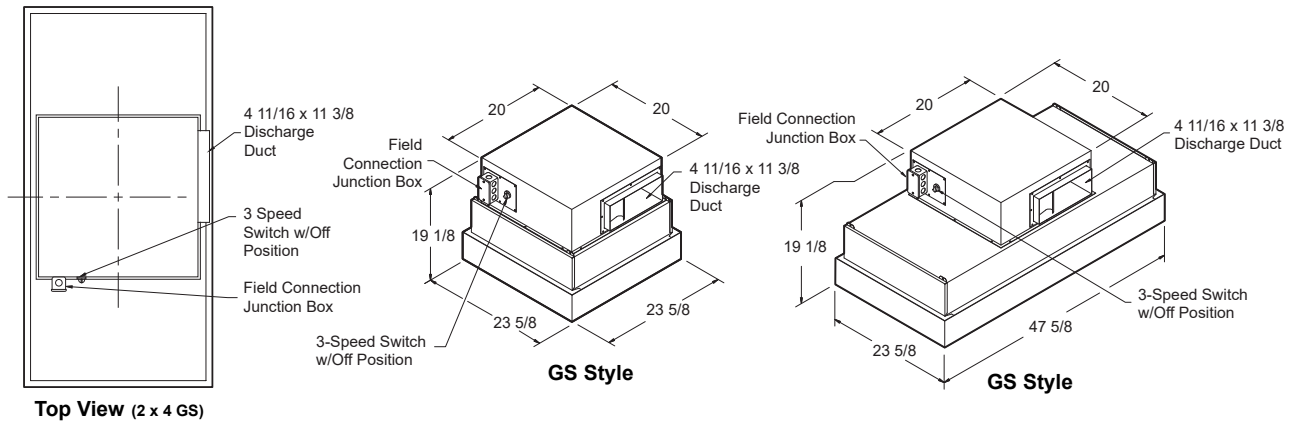
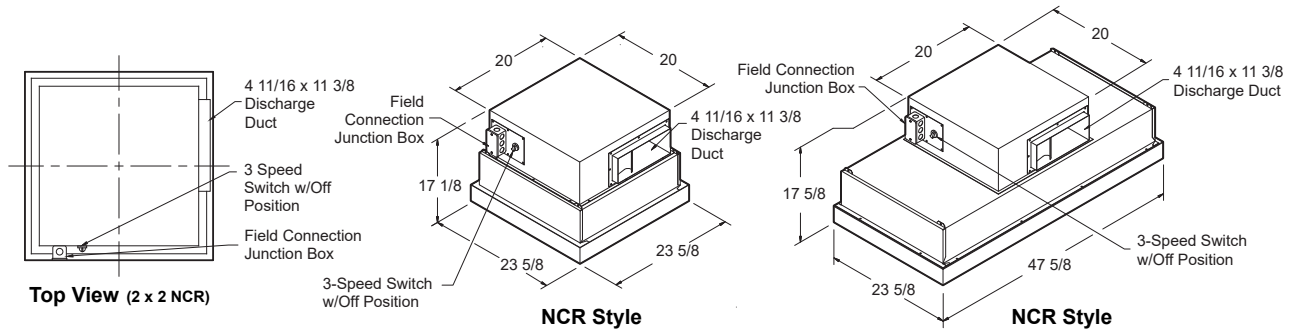
30" x 30" Reverse Flow
Clean Bench w/ Polypro Sink

Protects The Operator



4' Horizontal, Reverse Flow
E-Series Clean Bench Work Station

SAM is a registered trademark owned by Clean Rooms International



Ordering Information

Mfg. Code	Model or Description	Size	Voltage	Mfg. Code	Model or Description	Size	Voltage
12370	SAM 22 RF NCR	2 x 2	115	12371	SAM 22 RF NCR	2 x 2	277
12372	SAM 22 RF GS	2 x 2	115	12373	SAM 22 RF GS	2 x 2	277
12374	SAM 22 RF GS LI	2 x 2	115	12375	SAM 22 RF GS LI	2 x 2	277
12376	SAM 24 RF NCR	2 x 4	115	12377	SAM 24 RF NCR	2 x 4	277
12378	SAM 24 RF GS	2 x 4	115	12379	SAM 24 RF GS	2 x 4	277
12380	SAM 24 RF GS LI	2 x 4	115	12381	SAM 24 RF GS LI	2 x 4	277